

LED Street Light Specification

BBYR-ST295/290 Series



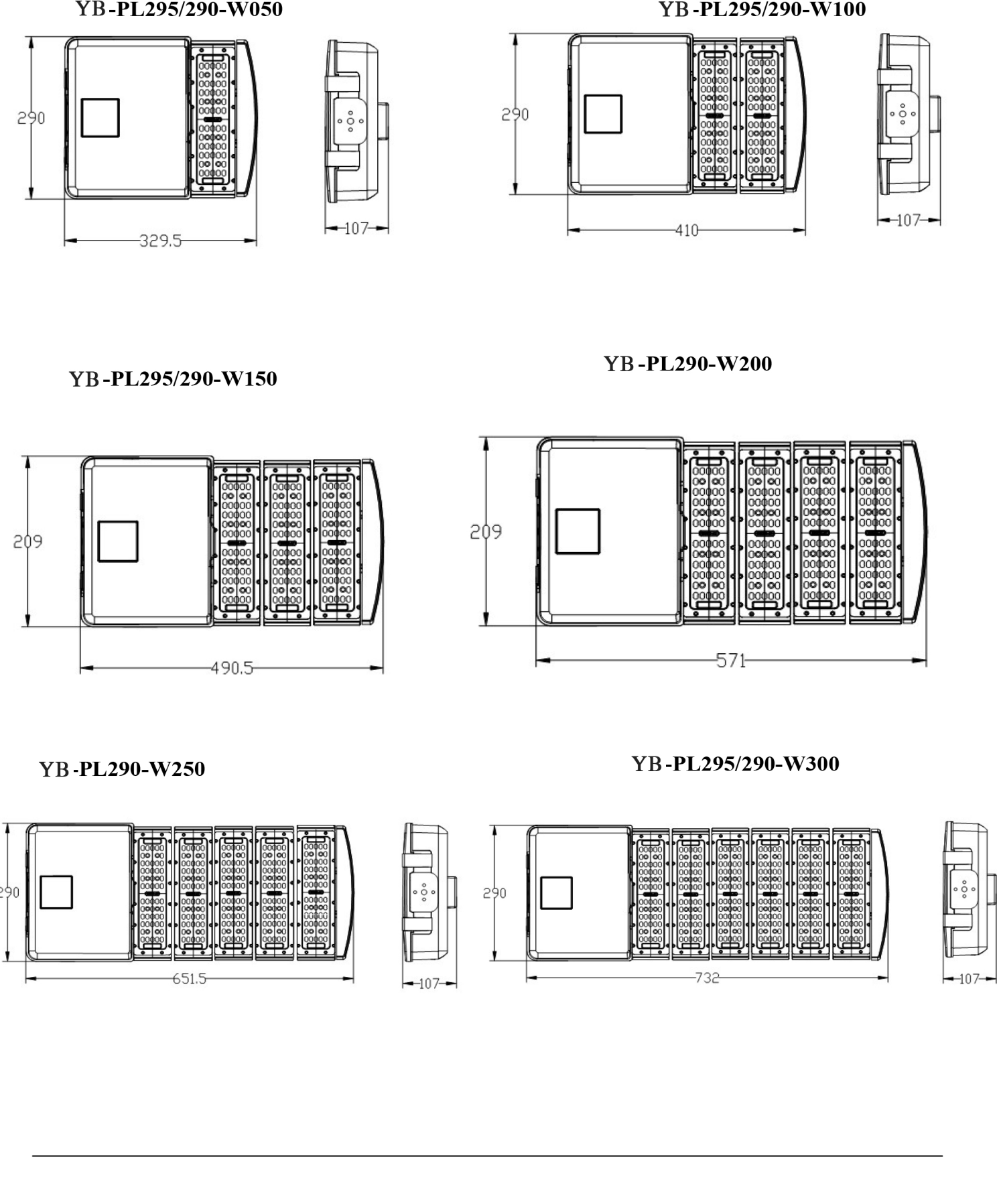
I. Application :

City expressway, trunk road, Street lighting, schools, garden, parking lots etc.

II. Features:

1. Lighter in weight. High cost performance.
2. Using optical lens with Type II and Type III light distribution optional.
3. IP65 suitable for wet locations.
4. High lumen Philip led and High quality MW driver.
5. Suitable for Photocell and Motion sensor, different mounting brackets with A/A2/B/B2/C/C2/D/D2/E/E2/F/F2 optional.

III. Product Size:



IV. Technical Parameter:

Model	Angle	CCT	CRI	Luminous Flux	Size (MM)	System Power
YB-PL295/290-W050	85°140°	3000-5000K	≥70	110~120Lm/W	329.5*290*107	50±5 W
YB-PL295/290-W100	85°140°	3000-5000K	≥70	110~120Lm/W	410*290*107	100±5 W
YB-PL295/290-W150	85°140°	3000-5000K	≥70	110~120Lm/W	490.5*290*107	150±5 W
YB-PL290-W200	85°140°	3000-5000K	≥70	110~120Lm/W	571*290*107	200±5 W
YB-PL290-W250	85°140°	3000-5000K	≥70	110~120Lm/W	651.5*290*107	250±5 W
YB-PL295/290-W300	85°140°	3000-5000K	≥70	110~120Lm/W	732*290*107	300±5 W
YB-PL290-W050-X-Ya-P	85°140°	3000-5000K	≥70	110~120Lm/W	329.5*290*107	50±5 W
YB-PL290-W100-X-Ya-P	85°140°	3000-5000K	≥70	110~120Lm/W	410*290*107	100±5 W
YB-PL290-W150-X-Yb-P	85°140°	3000-5000K	≥70	110~120Lm/W	490.5*290*107	150±5 W
YB-PL290-W200-X-Yc-P	85°140°	3000-5000K	≥70	110~120Lm/W	571*290*107	200±5 W
YB-PL290-W250-X-Yd-P	85°140°	3000-5000K	≥70	110~120Lm/W	651.5*290*107	250±5 W
YB-PL290-W300-X-Ye-P	85°140°	3000-5000K	≥70	110~120Lm/W	732*290*107	300±5 W

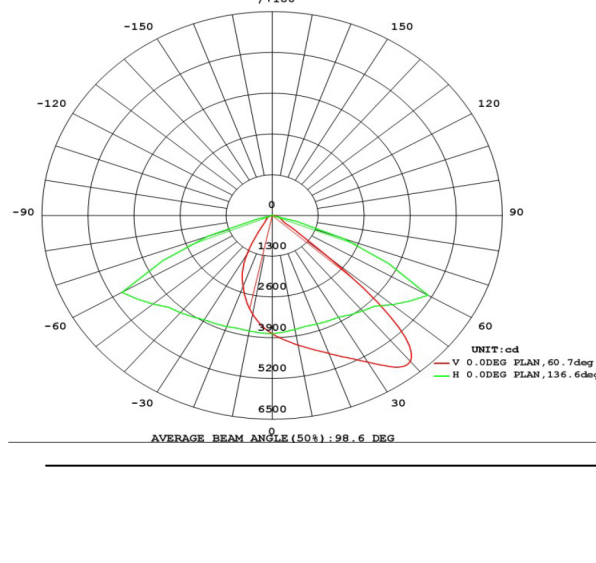
Input Voltage: AC100V ~ 277V, Philips LED chips; Where suffix "X" can be "A", "B", "B2", "C", "C2", "D", "D2", "E", "E2", "F", "F2"; where suffix "-Y" can be "-P" or blank; Suffix Ya can be Y1, Y2, Y3, Y10 when "-Y" is blank; Suffix Yb can be Y1, Y2, Y11 when "-Y"="-P"; Suffix Yc can be Y2, Y3, Y7, Y9, Y12 when "-" is blank; Suffix Yd can be Y2, Y3, Y7, Y9, Y13 when "-" is blank; Suffix Yd can be Y2, Y7, Y13 when "-Y"="-P"; Suffix Ye can be Y2, Y3, Y7, Y9, Y14 when "-" is blank; Suffix Yd can be Y2, Y7, Y14 when "-Y"="-P". Suffix "X" represents the type of mounting adaptor. (refer to section 3.0 Photos 16-18 for detail); Suffix "-P" represents photoelectric switch employed, blank represents no photoelectric switch employed. Suffix Ya, Yb, Yc, Yd, Ye represents the used of different drivers and the corresponding input voltage.

Models with suffix Y1 use SOSEN ELECTRONICS, SS series LED drivers; Models with suffix Y2 use MEANWELL, HLG(A) series LED drivers; Models with suffix Y3 use MEANWELL, HVG(B) series LED drivers; Models with suffix Y7 use INVENTRONICS, EUD series LED drivers; Models with suffix Y9 use MEANWELL, HVG(A) series LED drivers; Models with suffix Y10, Y11, Y12, Y13, Y14 use MEANWELL, HLG(B) series LED drivers; Y10=HLG-120H-42B, Y11=HLG-185H-42B, Y12=HLG-240H-42B, Y13=HLG-240H-36B, Y14=HLG-320H-36B

Storage temperature: - 40 ~ + 65°C

V. Beam Angle:

85°140° TYPE II



VI. Installation Instruction



1: Loosen the buckles and open the driver box.



2: Install the mounting bracket to the lamp with 4 pcs screws from the inside of the driver box. Let the power line pass through the hole of the mounting bracket.

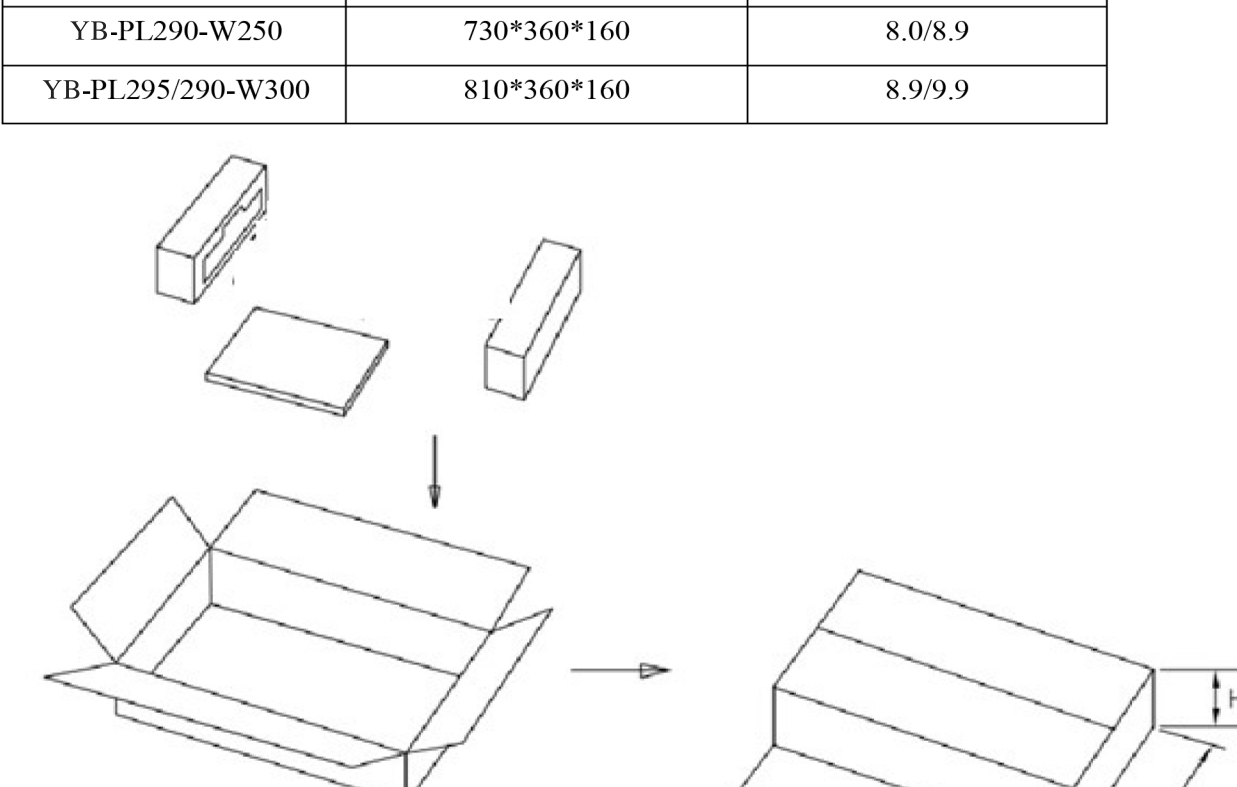


3: Fasten the buckles and connect the electric wires correctly.



VII. Package Information:

Item	Packing Size (MM)	N.W./G.W.(KG)
YB-PL295/290-W050	410*360*160	5.0/5.7
YB-PL295/290-W100	490*360*160	5.9/6.7
YB-PL295/290-W150	570*360*160	6.8/7.6
YB-PL290-W200	650*360*160	7.4/8.3
YB-PL290-W250	730*360*160	8.0/8.9
YB-PL295/290-W300	810*360*160	8.9/9.9



VIII. Installation Caution:

- Turn off the power and make sure the installation point can burden the weight of the lamp .
- Make sure the lamp is securely installed to prevent fixture from falling off.
- Do not place any object covering the heat sink which may affect heat dissipation property.
- Make certain to properly connect ground wire.
- Product failures caused by modifications or improper installation are not protected by the warranty.