

LED FLOOD LIGHT

Features

- ◆ UL,cUL,DLC5.1,SAA certificate
- ◆ 30-240W optional
- ◆ High efficacy : 150lm/W
- ◆ 110° beam angle
- ◆ IP66 protection class
- ◆ Operating temperature: -30°C ~ 45°C
- ◆ Kunckle mount/Yoke mount/Turnnion mount optional
- ◆ Corrosion resistant cold forged aluminum construction
- ◆ 3 years warranty for 30W-70W
- ◆ 5 years warranty for 100-240W



FLE SERIES

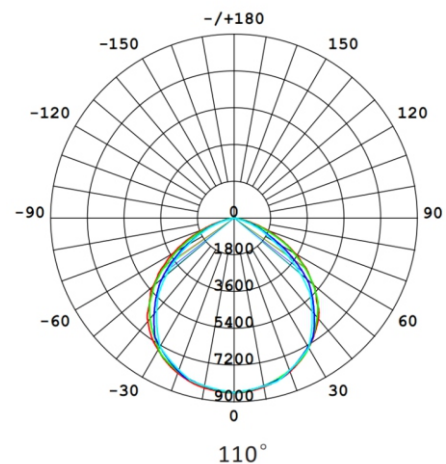


Application

This flood light widely used for below applications :

- ◆ Shopping mall
- ◆ Exhibition centre
- ◆ Parks
- ◆ Car parking area
- ◆ Stadium
- ◆ Gymnasium
- ◆ Billboard
- ◆ School
- ◆ Other places need lighting product

Photometric



SPECIFICATION FEATURES



Parameters

Model	Power	Input voltage	CRI	CCT	Efficacy	Lumen
OLL -FLE030-XXKAAX	35W	AC120V AC240V	>70	3000K 4000K 5000K 5700K	130LM/W	4550LM
OLL -FLE050-XXKAAX	50W					6500LM
OLL -FLE070-XXKAAX	70W					9100LM
OLL -FLE100-XXKAAX	100W	AC120-277V AC120-347V			150LM/W	15000LM
OLL -FLE150-XXKAAX	150W					22500LM
OLL -FLE200-XXKAAX	200W					30000LM
OLL -FLE240-XXKAAX	240W					36000LM

Ordering Guide

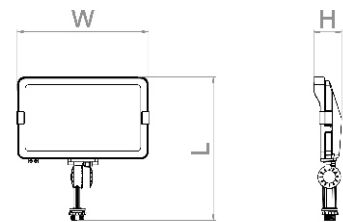
For example: X - FLEXXX - XXKAAX

Brand	Product name	Power	CCT	Input voltsge	Input voltage
OLL	FLE	XXX	XXK	AA	X
OLL	FLE	030=30W 050=50W 070=70W 100=100W 150=150W 200=200W 240=240W	30=3000K 40=4000K 50=5000K 57=5700K	XV=120V SV=120-277V LV=120-347V MV=240V	P=Photocell Blank=NO photocell

LED FLOOD LIGHT

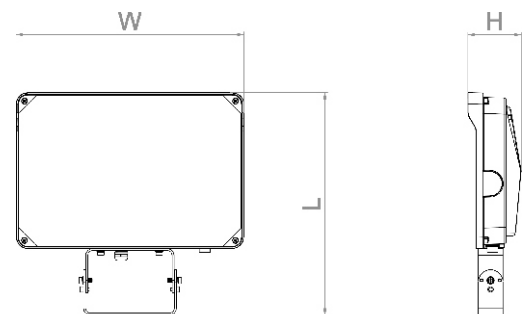
Dimension

1/2" NPSM Knuckle Mount	L x W x H (mm)
35W	207.0x172.5x45.5
50W	230.5x228.5x45.0
70W	262.0x277.0x48.0



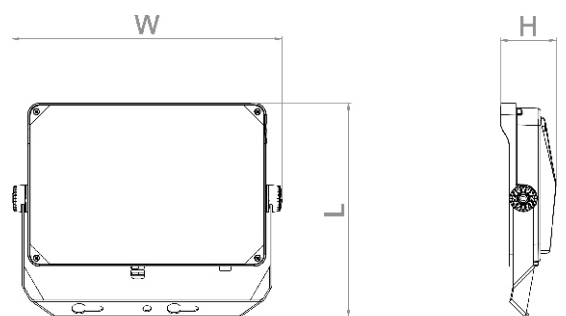
1/2" NPSM Knuckle Mount

Yoke Mount	L x W x H (mm)
100W	312.6x306.0x71.0
150W	342.5x350.5x82.0
200-240W	392.5x430.5x100.0



Yoke Mount

Turnnion Mount	L x W x H (mm)
30W	164.0x189.0x45.5
50W	196.0x229.0x45.0
70W	232.0x280.0x48.0
100W	299.0x350.0x71.0
150W	335.0x394.0x82.0
200-240W	400.0x474.0x100.0



Turnnion Mount

Package Info

Model	Inner Carton Dimension(mm)	Qty / Carton	N.W	G.W	Outer Carton Dimension(mm)	Qty / Carton	G.W
OLL-FLE030-XXKAAX	L210 x W57 x H235	1PCS	0.60KG	0.69KG	L437 x W312 x H260	10PCS	7.50KG
OLL-FLE050-XXKAAX	L250 x W57 x H260	1PCS	0.82KG	0.92KG	L517 x W313 x H285	10PCS	10.00KG
OLL-FLE070-XXKAAX	L299 x W60 x H295	1PCS	1.28KG	1.45KG	L643 x W315 x H320	10PCS	15.50KG

Model	With Mount	Carton Dimension(mm)	Qty/Carton	N.W	G.W
OLL-FLE100-XXKAAX	Yoke mount	L365 x W345 x H110	1PCS	2.90KG	3.40KG
OLL-FLE150-XXKAAX	Yoke mount	L395 x W395 x H125	1PCS	3.70KG	4.30KG
OLL-FLE200-XXKAAX	Yoke mount	L470 x W445 x H150	1PCS	5.20KG	6.00KG
OLL-FLE240-XXKAAX	Yoke mount	L470 x W445 x H150	1PCS	5.50KG	6.30KG
OLL-FLE100-XXKAAX	Turnnion mount	L385 x W350 x H110	1PCS	3.10KG	3.60KG
OLL-FLE150-XXKAAX	Turnnion mount	L430 x W385 x H125	1PCS	3.90KG	4.50KG
OLL-FLE200-XXKAAX	Turnnion mount	L510 x W450 x H150	1PCS	5.80KG	6.60KG
OLL-FLE240-XXKAAX	Turnnion mount	L510 x W450 x H150	1PCS	6.10KG	6.90KG

Safety Precaution

Safety Precaution To reduce the risk of death, personal injury or property damage from fire, electric shock, falling parts, cuts/abrasions, and other

hazards read all warnings and instructions included with and on the fixture box and all fixture labels.

Before installing, servicing, or performing routine maintenance upon this equipment, follow these general precautions.

Commercial installation, service and maintenance of luminaires should be performed by a qualified licensed electrician.

For The installation: If you are unsure about the installation or maintenance of the luminaires, consult a qualified licensed electrician and check your local electrical code.

To prevent wiring damage or abrasion, do not expose wiring to edges of sheet metal or other sharp objects.

Do not make or alter any open holes in an enclosure of wiring or electrical components during kit installation.

WARNING: RISK OF FIRE OR ELECTRICAL SHOCK

Turn off electrical power at fuse or circuit breaker box before wiring fixture to the power supply.

Turn off the power when you perform any maintenance.

Verify that supply voltage is correct by comparing it with the luminaire label information.

Make all electrical and grounded connections in accordance with the National Electrical Code and any applicable local code requirements.

All wiring connections should be capped with UL approved wire connectors.

CAUTION: RISK OF INJURY

Avoid direct eye exposure to the light source while it is on.

Account for small parts and destroy packing material, as these may be hazardous to children.