

Round LED Street Light

PL390-W030/PL390-W060/PL390-W120



Application

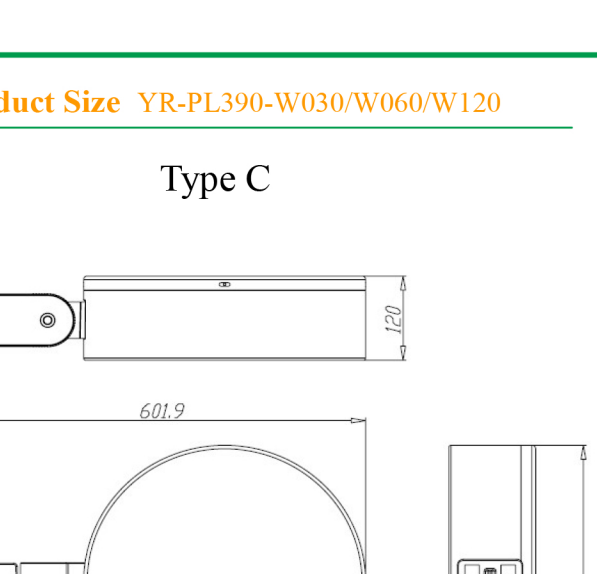
Mainly applied to outdoor light, factory buildings, Industrial lights, architecture light etc.

Features

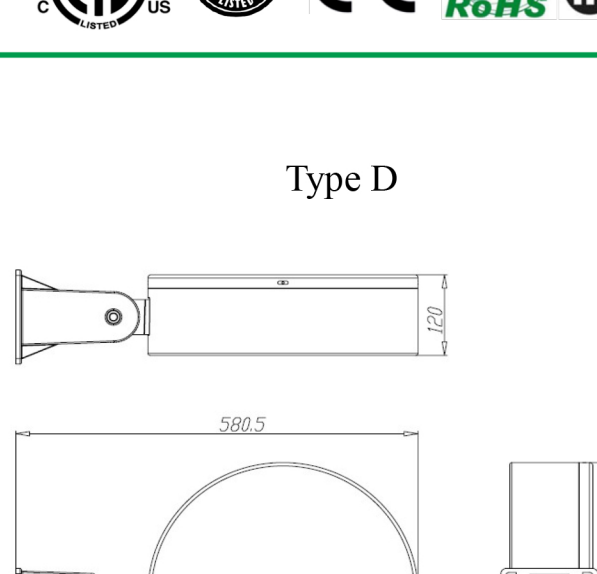
- 1 Spinning to all in-one shaped dissipation, the structure of dissipation adopted hollow cooling structure with good heat sink .
- 2 Beautiful Design, adopted Philips SMD3030 with 160lm/W. The efficiency of whole lamp up to 115lm/W.
- 3 Available Optic : 120 / 85°*135°/100°*140°
- 4 High performance Sosen driver . 5 year warranty .

Product Size YR-PL390-W030/W060/W120

TYPE A



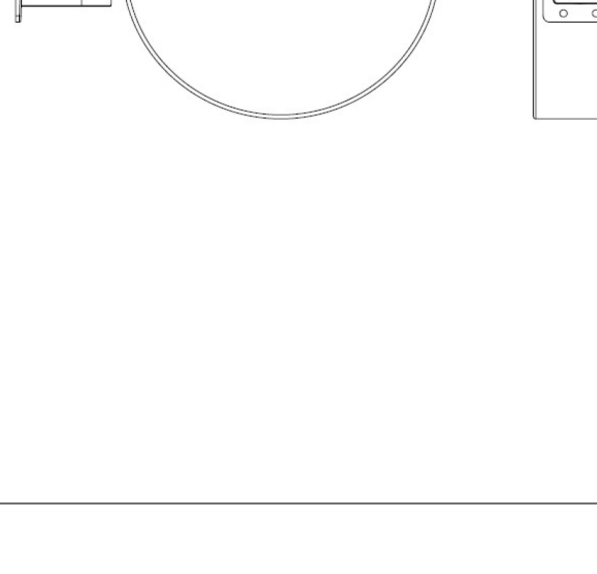
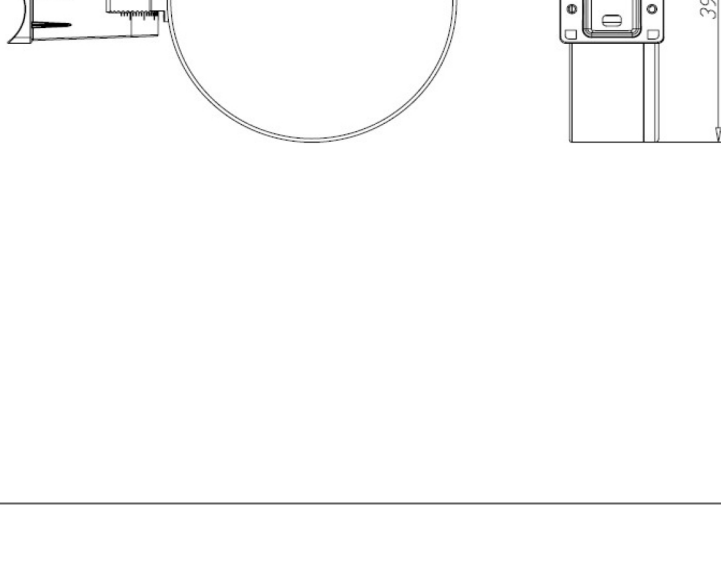
TYPE B



Product Size YR-PL390-W030/W060/W120

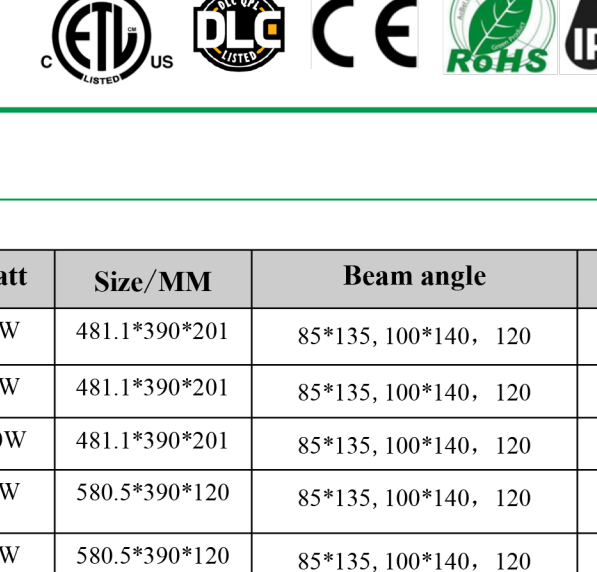
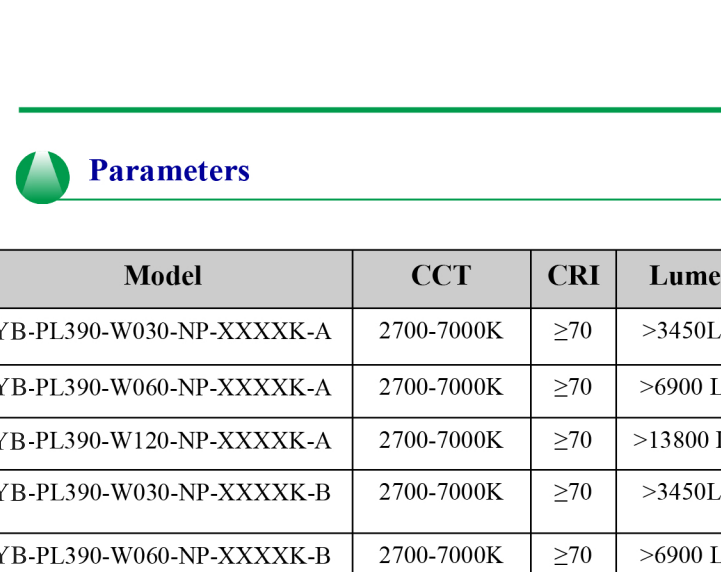
Type C

Type D



Type E

Type F



Parameters

Model	CCT	CRI	Lumen	Watt	Size/MM	Beam angle	N.W
YB-PL390-W030-NP-XXXXK-A	2700-7000K	≥70	>3450LM	30W	481.1*390*201	85°*135, 100°*140, 120	4.1KG
YB-PL390-W060-NP-XXXXK-A	2700-7000K	≥70	>6900 LM	60W	481.1*390*201	85°*135, 100°*140, 120	4.1KG
YB-PL390-W120-NP-XXXXK-A	2700-7000K	≥70	>13800 LM	120W	481.1*390*201	85°*135, 100°*140, 120	4.1KG
YB-PL390-W030-NP-XXXXK-B	2700-7000K	≥70	>3450LM	30W	580.5*390*120	85°*135, 100°*140, 120	4.1KG
YB-PL390-W060-NP-XXXXK-B	2700-7000K	≥70	>6900 LM	60W	580.5*390*120	85°*135, 100°*140, 120	4.1KG
YB-PL390-W120-NP-XXXXK-B	2700-7000K	≥70	>13800 LM	120W	580.5*390*120	85°*135, 100°*140, 120	4.1KG
YB-PL390-W030-NP-XXXXK-C	2700-7000K	≥70	>3450LM	30W	601.9*390*120	85°*135, 100°*140, 120	4.1KG
YB-PL390-W060-NP-XXXXK-C	2700-7000K	≥70	>6900 LM	60W	601.9*390*120	85°*135, 100°*140, 120	4.1KG
YB-PL390-W120-NP-XXXXK-C	2700-7000K	≥70	>13800 LM	120W	601.9*390*120	85°*135, 100°*140, 120	4.1KG
YB-PL390-W030-NP-XXXXK-D	2700-7000K	≥70	>3450LM	30W	580.5*390*120	85°*135, 100°*140, 120	4.1KG
YB-PL390-W060-NP-XXXXK-D	2700-7000K	≥70	>6900 LM	60W	580.5*390*120	85°*135, 100°*140, 120	4.1KG
YB-PL390-W120-NP-XXXXK-D	2700-7000K	≥70	>13800 LM	120W	580.5*390*120	85°*135, 100°*140, 120	4.1KG
YB-PL390-W030-NP-XXXXK-E	2700-7000K	≥70	>3450LM	30W	604.6*390*120	85°*135, 100°*140, 120	4.1KG
YB-PL390-W060-NP-XXXXK-E	2700-7000K	≥70	>6900 LM	60W	604.6*390*120	85°*135, 100°*140, 120	4.1KG
YB-PL390-W120-NP-XXXXK-E	2700-7000K	≥70	>13800 LM	120W	604.6*390*120	85°*135, 100°*140, 120	4.1KG
YB-PL390-W030-NP-XXXXK-F	2700-7000K	≥70	>3450LM	30W	520.7**390*120	85°*135, 100°*140, 120	4.1KG
YB-PL390-W060-NP-XXXXK-F	2700-7000K	≥70	>6900 LM	60W	520.7**390*120	85°*135, 100°*140, 120	4.1KG
YB-PL390-W120-NP-XXXXK-F	2700-7000K	≥70	>13800 LM	120W	520.7**390*120	85°*135, 100°*140, 120	4.1KG

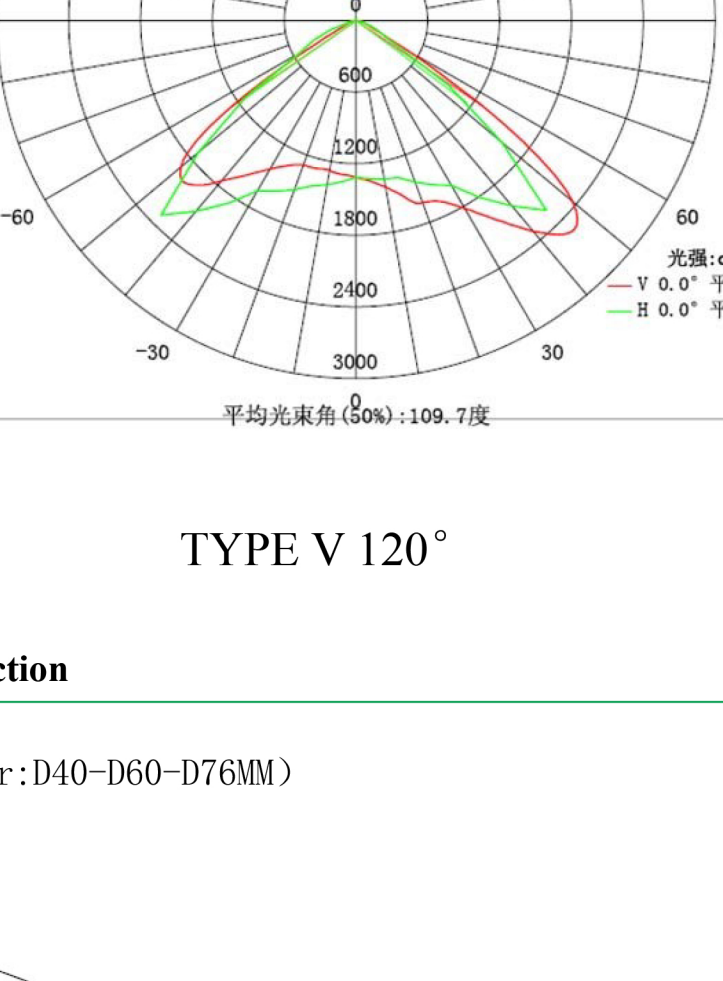
2700-7000K color temp. optional

Input Voltage: AC 90V-305V

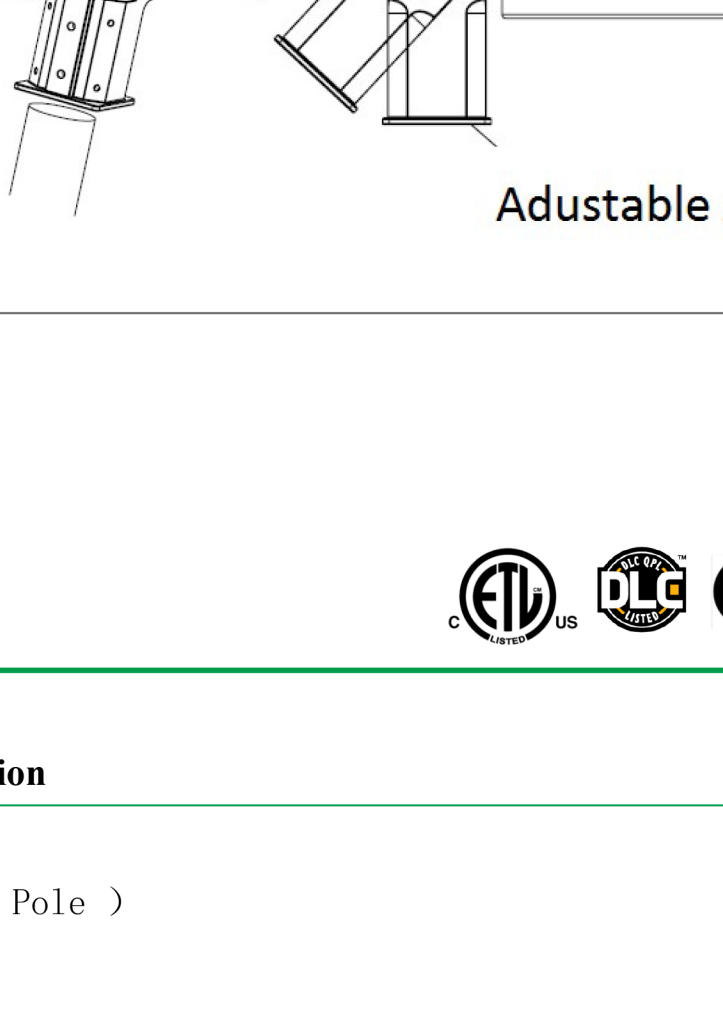
Efficiency of Power Supply: >95%

Storage temperature: -40 ~ 85°C

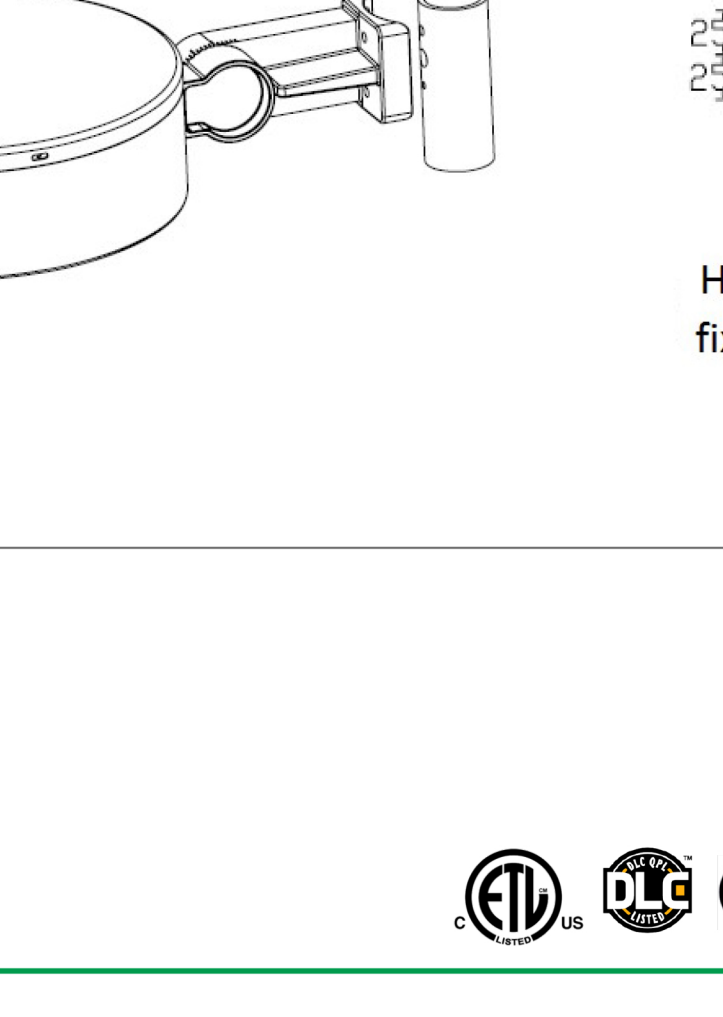
Optic data



TYPE II 85°*135°



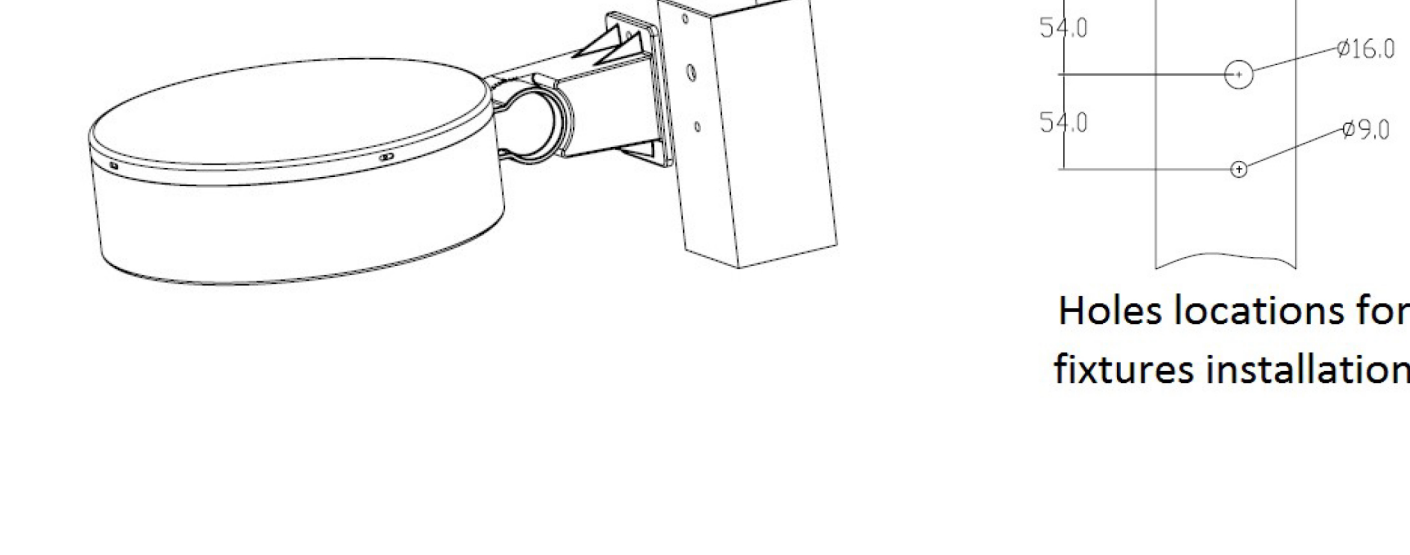
TYPE IV 100°*140



TYPE V 120°

Installation Instruction

Type A (Pole diameter:D40-D60-D76MM)



Adustable Arm

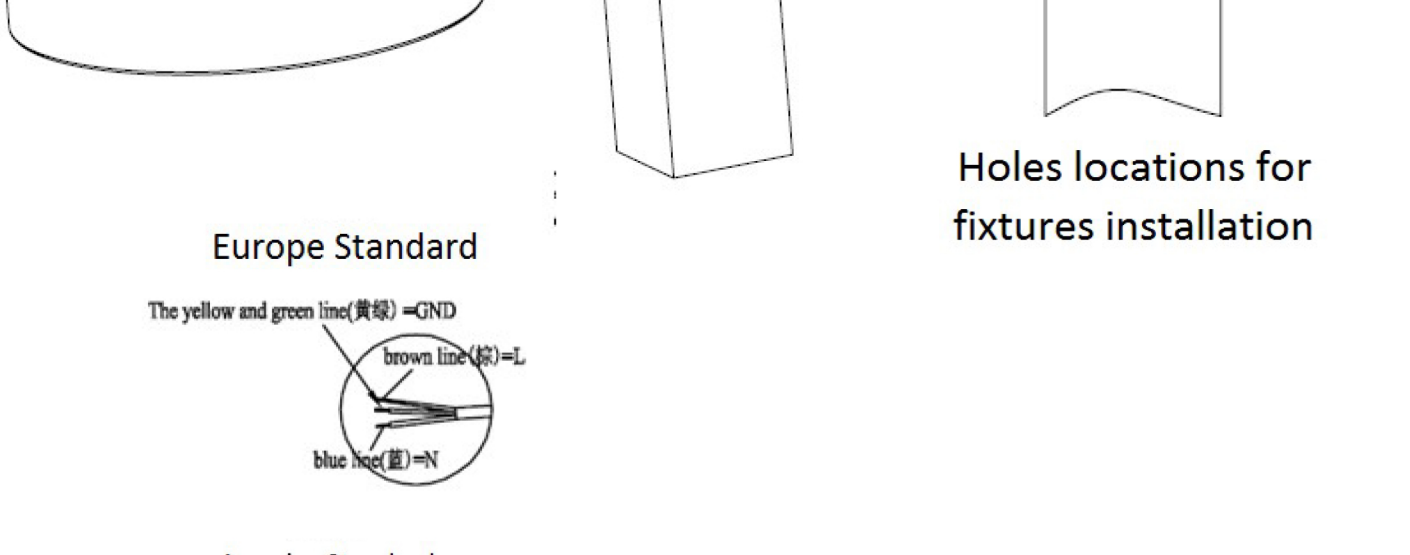
Installation Instruction

Type B (Rectangular Pole)



Holes locations for fixtures installation

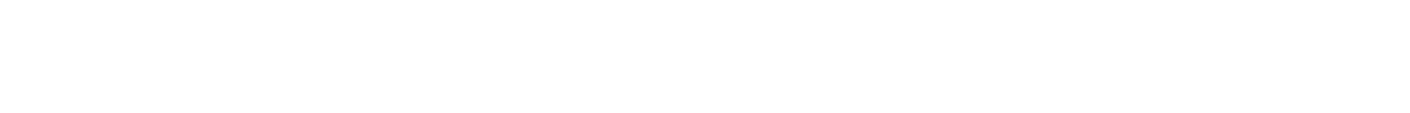
Type C (round pole diameter 60MM)



Holes locations for fixtures installation

Installation Instruction

Type D (Rectangular pole)

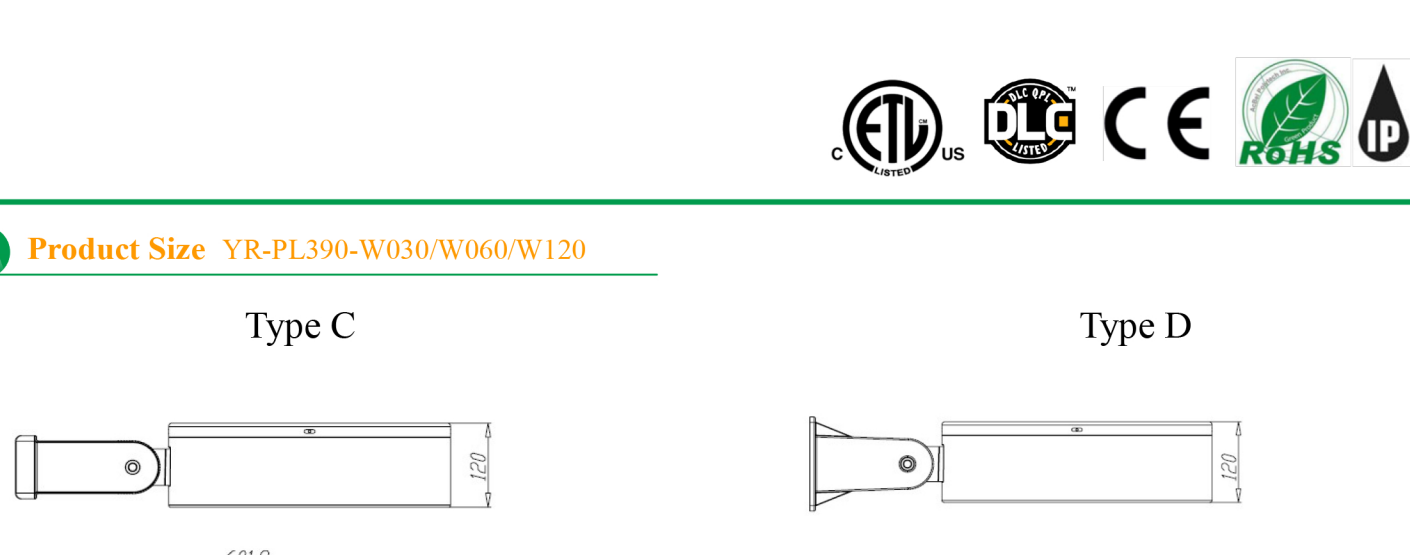


Holes locations for fixtures installation

TYPE E (Round Pole Diameter 60MM)

Holes locations for fixtures installation

TYPE F



Holes locations for fixtures installation

Europe Standard

The yellow and green line(黄绿)=GND
brown line(棕)=L
blue line(蓝)=N

America Standard

The yellow and green(黄绿)=GND
The black line(黑)=L
The white line(白)=N

Installation Caution

- Make sure the power has been cut off before installation and the installation part can be beared up the lamp weight .
- Make sure the correct installation way to prevent the lights' drop off
- Don't cover any materials on the lamp .
- Connect well with the earth wire for ensure the safety .
- The warranty is 5 years from the day when purchased.
- These cases including breakdown, modification or the failure caused by improper construction are not within the scope of warranty policy.